



**Water cooling for HiPace 60 P /  
80 / 350 / 450 and for SplitFlow 50  
/ 80 with push-in fitting, 8 mm**

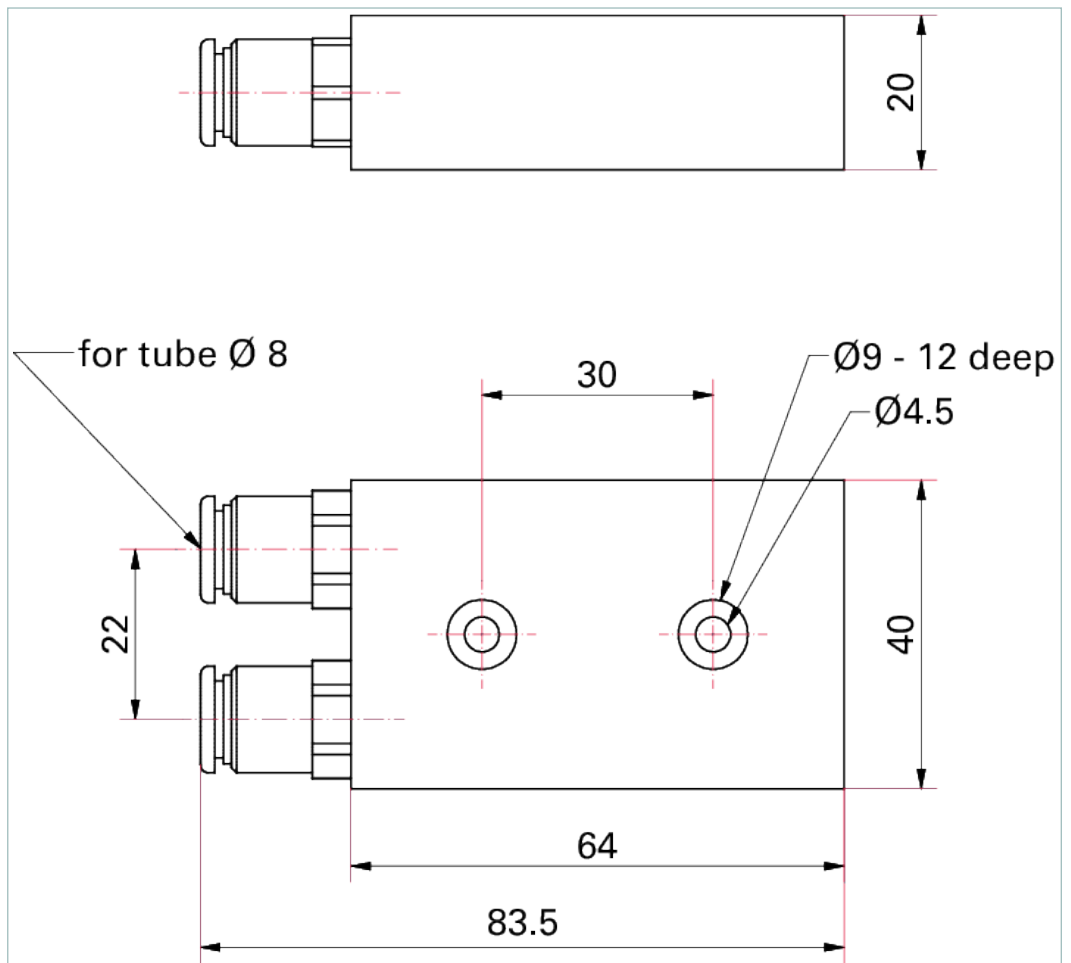


Similar Image

## Water cooling for HiPace 60 P / 80 / 350 / 450 and for SplitFlow 50 / 80 with push-in fitting, 8 mm

- Suitable for HiPace 60 P / 80 / 350 / 450 and SplitFlow 50 / 80
- Required installation elements included in scope of delivery
- Standardized 1/8" plug-in screw connection for 8 mm hose connection
- Water cooling is mandatory if the pump is to be heated or operated under high gas loads

### Dimensions



#### Technical Data

Water cooling for HiPace 60 P / 80 / 350 / 450 and for SplitFlow 50 / 80 with push-in fitting, 8 mm

For pump

HiPace 60 P | HiPace 80 | HiPace 350 | HiPace 450 | SplitFlow 50 / 80

Inlet/Outlet

Plug-in connection  $\varnothing$  8 mm

#### Order number

Water cooling for HiPace® 60 P / 80 / 350 / 450 | SplitFlow 50 / 80

PM 016 623 -T

## **VACUUM SOLUTIONS FROM A SINGLE SOURCE**

Pfeiffer Vacuum stands for innovative and custom vacuum solutions worldwide, technological perfection, competent advice and reliable service.

## **COMPLETE RANGE OF PRODUCTS**

From a single component to complex systems:

We are the only supplier of vacuum technology that provides a complete product portfolio.

## **COMPETENCE IN THEORY AND PRACTICE**

Benefit from our know-how and our portfolio of training opportunities!

We support you with your plant layout and provide first-class on-site service worldwide.

Are you looking for a  
perfect vacuum solution?  
Please contact us:

**Pfeiffer Vacuum GmbH**  
Headquarters · Germany  
T +49 6441 802-0  
info@pfeiffer-vacuum.de

[www.pfeiffer-vacuum.com](http://www.pfeiffer-vacuum.com)

All data subject to change without prior notice.

**PFEIFFER**  **VACUUM**